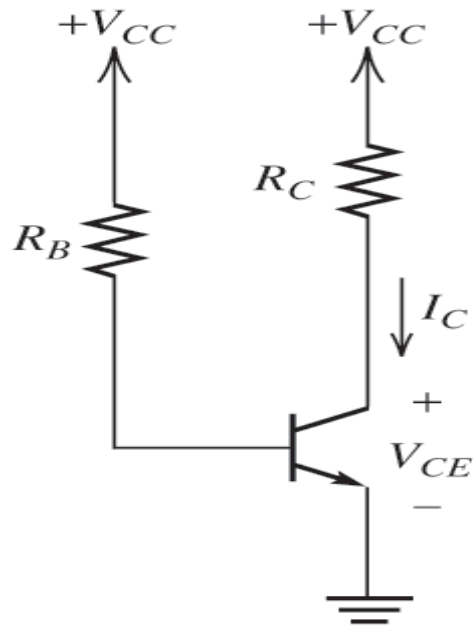


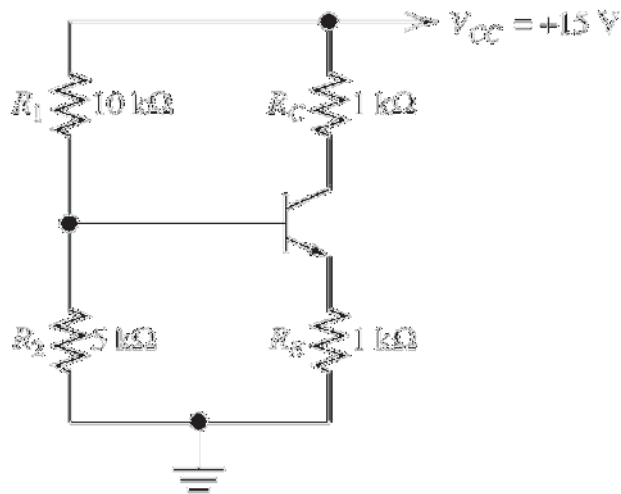
EE223 Analogue Electronics, Tutorial 2

Question 1



In the above circuit, $R_B = 200\text{k}\Omega$, $R_C = 1\text{k}\Omega$, $V_{CC} = 15\text{V}$. Calculate V_{CE} in the following two cases: $\beta = 50$, $\beta = 250$.

Question 2



For the above circuit, assuming that $V_{BE} = 0.7\text{V}$, calculate the values of I_C and V_{CE} for: $\beta = 100$, $\beta = 300$.